



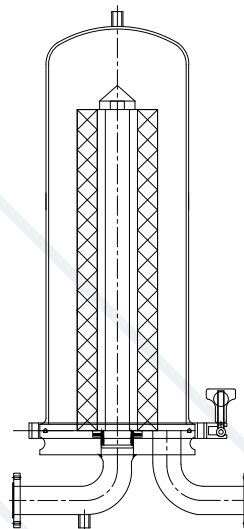
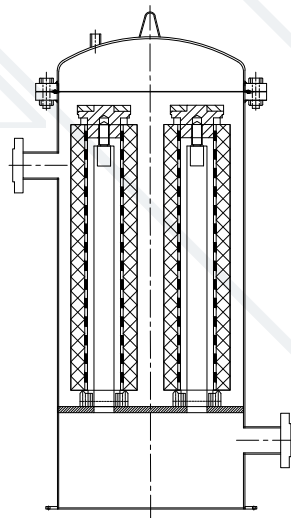
RAJVI
FILTERS
WE CARE THE PURITY

Manufacturer And Supplier Of Industrial Filters



(An ISO 9001 : 2015 Certified Company)

www.rajvifilters.com



TECHNICAL SPECIFICATIONS

Sizes (Cartridge Filter Housing Suitable For)

1 No. To 500 Nos. Of Cartridges in Single Housing

2", 2.5", 4", 6" & 8" Diameter Of Cartridge

10", 20", 30" & 40" Length Of Cartridge

Flow Rate

Capacity : Up to 2000 m³/hr & more

Gasket / O Ring Material

Neoprene

Nitrile

Silicone

Viton

EPDM

PTFE

Spiral Wound

BUNA-N

End Connection

NPT / BSP Threaded

Flanged Table E / Table F

ANSI B 16.5 Flanged

Din Standard

Tri Clover Adaptors

Material Of Construction

SS 316L SS 316 SS 304 Mild Steel

POLYPROPYLENE On Any Metal

RUBBER LINING On Any Metal

TEFLON LINING On Any Metal

TEFLON COATING On Any Metal

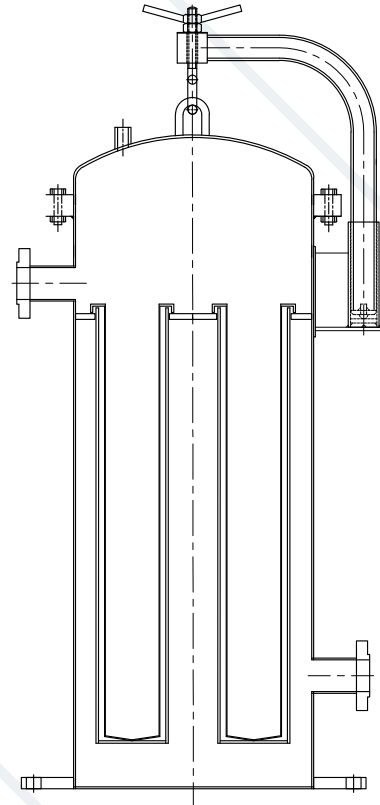
Type Of Fitting (Cartridge)

Double Open End (DOE) Type

Code 7 (226 O Ring) Design

Code 3 (226 O Ring) Design

NPT Threaded Connection Type



TECHNICAL SPECIFICATIONS

Sizes (Bag Filter Housing Suitable For)		
Diameter in inch.	Length in inch.	No. of Bags Per Housing.
4" Dia.	10" Long	1 No.
4" Dia.	20" Long	1 No.
7" Dia.	16" Long	1 No.
7" Dia.	32" Long	1 No.
7" Dia.	32" Long	2 No.
7" Dia.	32" Long	3 No.
7" Dia.	32" Long	4 No.
7" Dia.	32" Long	5 No.
7" Dia.	32" Long	6 No.
7" Dia.	32" Long	7 No.
7" Dia.	32" Long	9 No.

Flow Rate
Capacity : Up to 2000 m3/hr & more

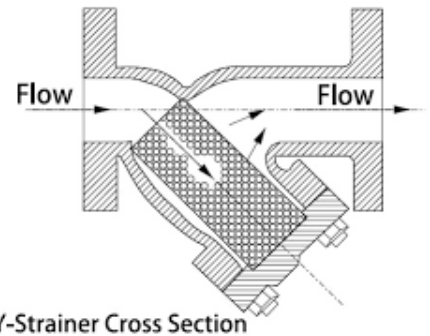
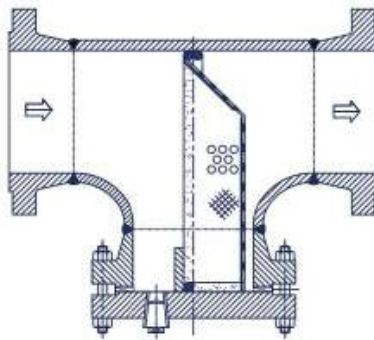
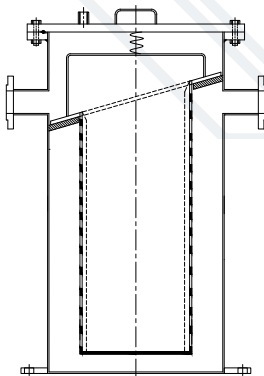
Material Of Construction
SS 316L SS 316 SS 304
MS
POLYPROPYLENE
RUBBER LINING On Any Metal

Type Of Fitting (Bag)
PP Collar Bag
Snap Band Bag
SS Ring Bag
Flange Collar Bag

End Connection
NPT / BSP Threaded
Flanged Table E / Table F
ANSI B 16.5 Flanged
Din Standard
Tri Clover Adaptors

Gasket / O Ring Material
Neoprene
Nitrile
Silicone
Viton
EPDM
PTFE

BASKET FILTER & STRAINERS



TECHNICAL SPECIFICATIONS

Sizes

1" Line Size To 24" Line Size & More

Flow Rate

Capacity : Up to 2000 m³/hr & more

Material Of Construction

SS 316L SS 316 SS 304

Mild Steel

POLYPROPYLENE On Any Metal

RUBBER LINING On Any Metal

Basket Element Design Available

Single Basket Design

Multi Basket Design

Pleated Basket Design

Wrap Round Basket Design

End Connection

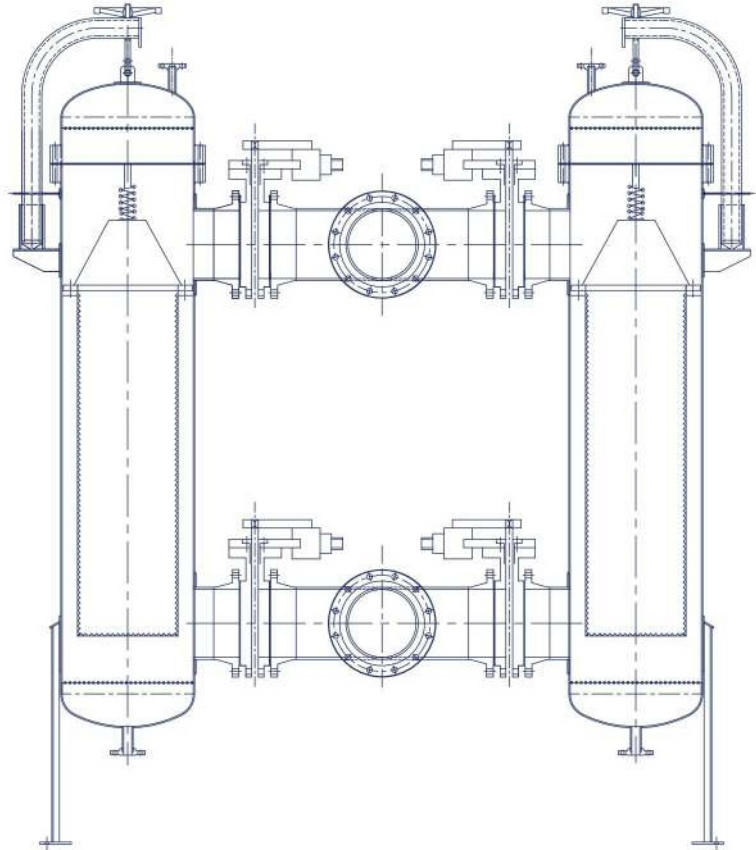
NPT / BSP Threaded

Flanged Table E / Table F

ANSI B 16.5 Flanged

Din Standard

Tri Clover Adaptors



TECHNICAL SPECIFICATIONS

Sizes

1/4" Line Size To 24" Line Size & More

Design

Customized

Flow Rate

Capacity : Up to 2000 m³/hr & more

Type Of Valve Available

3 - Way Ball Valve
Butterfly Valve With Tee

Material Of Construction

SS 316L SS 316 SS 304
Mild Steel
POLYPROPYLENE On Any Metal
RUBBER LINING On Any Metal

End Connection

NPT / BSP Threaded
Flanged Table E / Table F
ANSI B 16.5 Flanged
Tri Clover Adaptors

PP Spun Bonded Filter Cartridge



Description	
Diameter	2.5", 4", 4.5"
Internal Diameter	28mm
Length	10", 20", 30", 40"
Material of Construction	100% Polypropylene
Micron Rating	1, 5, 10, 25, 50, 75, 100
Configuration	DOE, SOE

PP Wound Filter Cartridge



Description	
Diameter	2.5", 4", 4.5"
Internal Diameter	28mm
Length	10", 20", 30", 40"
Core	PP, Stainless Steel
Material of Construction	100% Polypropylene
Micron Rating	1, 5, 10, 25, 50, 75, 100
Configuration	DOE, SOE

Glass Fiber Wound Filter Cartridge



Description	
Diameter	2.5", 4", 4.5"
Internal Diameter	28mm
Length	10", 20", 30", 40"
Core	Stainless Steel
Material of Construction	Glass Fiber
Micron Rating	1, 5, 10, 25, 50, 75, 100
Configuration	DOE, SOE

PP Pleated Filter Cartridge



Description	
Diameter	68mm
Internal Diameter	28mm
Length	10", 20", 30", 40"
Material of Construction	Polypropylene & PTFE
Micron Rating	0.2, 0.45, 1, 2, 5, 10
Configuration	DOE, SOE & Code 7

Resin Bonded Filter Cartridge



Description	
Diameter	64mm
Internal Diameter	28mm
Length	10", 20", 30", 40"
Material of Construction	Pheonic & Cellulose Resin B.
Micron Rating	1, 5, 10 & 20
Construction	Grooved & Ungrooved
Configuration	DOE

Paper Pleated Filter Cartridge



Description	
Diameter	2.5", 4", 4.5" & Customized
Internal Diameter	28mm & Customized
Length	10", 20", 30", 40" & Customized
MOC	SS/GI/PP/PU/PLASTIC
MOC of Media	Paper, PP, Polyester, HDPE, Nylon
Filter Design	Wrap Round & Pleated
Micron Rating	1, 2, 5, 10, 25, 50, 75, 100, 300, 500
Construction	Adhesive Joint
Configuration	DOE, SOE & Customized

Stainless Steel Filter Cartridge



Description	
Diameter	2.5", 4", 4.5" & Customized
Internal Diameter	28mm & Customized
Length	10", 20", 30", 40" & Customized
MOC	SS 304, SS 316 & SS 316L
MOC of Media	SS 304/316/L Woven Mesh 316L Non-Woven Fiber Felt
Filter Design	Wrap Round & Pleated
Micron Rating	1, 2, 3, 5, 10, 50, 75, 100
Construction	100% Welded & Adhesive
Configuration	DOE, SOE, Code 7, NPT & BSP

SS Sintered Powder Filter Cartridge



Description	
Diameter	2", 2.5" & 3"
Internal Diameter	28mm, 40mm & 50mm
Length	10", 20", 30", 40" & Customized
MOC	SS 316 & SS 316L
Filter Design	Cylinder
Micron Rating	0.2, 1, 2, 3, 5, 10, 50, 75, 100
Construction	100% Welded
Configuration	DOE, SOE, Code 7, NPT & BSP

DUST COLLECTION



Dust Collection Filter Cartridge/Elements

Sizes	
Standard & Customized	
Description	
MOC of Caps	SS/GI/Al/PU-RUBBER
MOC of Media	Cellulose Paper, PP, Spun Bonded Polyester, HDPE, Nylon
Micro Rating	1, 5, 10, 25, 50
Coating	PTFE, Antistatic(Aluminum Coating), Oil & Water Repellant
Configuration	Lugs Type, Collar Type, Flange type & Tie-Rod Type Fitting

PANEL FILTER



TECHNICAL SPECIFICATIONS

Sizes
Standard & Customized
MOC of Frame
SS 316 SS 304
Aluminum
Gi
Micron Rating
0.2, 0.3, 1, 2, 5, 10, 25, 50, 100 & More

MOC of Media
PP, Polyester, Synthetic Non-Woven
HDPE Mesh
SS Mesh
Nylon Mesh
Glass Fiber
Type of Filter
HEPA Filter
Pre Filter
V Cell Filter
Pocket Filter

FILTER BAGS

Liquid Filter Bags



TECHNICAL SPECIFICATIONS

Standard Sizes (Customized sizes are available)	Filtration Rating
4" X 10" Long	1, 5, 10, 20, 50, 100 & 200 Micron
4" X 17" Long	
4" X 20" Long	Fitment Configuration
7" X 17" Long	PP Collar
7" X 32" Long	SS Ring
	Snap Band Fit
Configuration	Filter Media
Fused (Welded)	Polypropylene
Stitched Types	Polyester
	Nylon
	HDPE

Dust Collection Filter Bags



TECHNICAL SPECIFICATIONS

Standard Sizes (Customized sizes are available)	Available Coating & Treatment
Customized Sizes are available	Antistatic Treatment with copper wire
	Antistatic treatment with stainless steel fiber
Micro Rating	Water & Oil Repellent
1, 5, 10, 25, 50, 100, 250, 500	PTFE Coating & Laminated
Configurations	Filter Media
Snap band type	Woven Media
Flange collar type	Non-Woven Media
Customized	Glass Fiber

Coolent Filter Paper Roll



TECHNICAL SPECIFICATIONS

Sizes (Customized sizes are available)
400 mm to 3000 mm width Customized sizes are available
Configuration
30 GSM to 200 GSM
Filtration Rating
1, 5, 10, 20, 50, 100 Micron

Filter Media
Polypropylene
Polyester
Viscose
Needle Punch

Filter Media

HIGH LOFT GLASS FIBER



HIGH LOFT POLYESTER



TECHNICAL SPECIFICATIONS

Sizes
Customized Sizes are available
Micro Rating
1, 5, 10, 25, 50, 100

Filter Media	
Woven Media	Polypropylene
Non-Woven Media	Polyester
Glass Fiber	Nylon
Cotton	HDPE

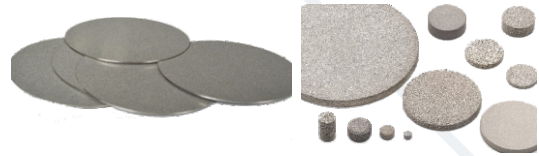
Sintered Filter Tubes



TECHNICAL SPECIFICATIONS

Sizes (Customized sizes are available)	
10", 20", 30", 40" & Customized	
Diameter	
25MM, 38MM, 44MM, 50MM, 65MM, 75MM	
Filteration Rating	Filter Media
0.2, 0.45, 1, 5, 10, 20, 50 Micron	SS 316L, SS 304L

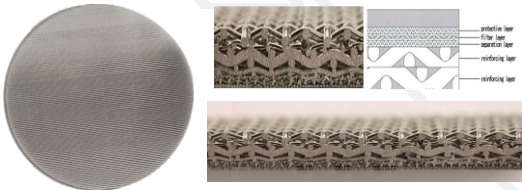
Sintered Disc Filter



TECHNICAL SPECIFICATIONS

Sizes
Customized
Filteration Rating
0.2, 0.45, 1, 5, 10, 20, 50 Micron
Filter Media
SS 316L, SS 304L

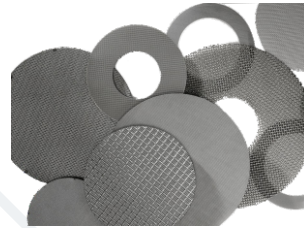
Multilayer Disc Filters



TECHNICAL SPECIFICATIONS

Sizes	
Customized	
Thickness	Layer
1.7 mm	5
Filteration Rating	Filter Media
1, 5, 10, 20, 50 Micron	SS 316L, SS 304L

Wiremesh Disc Filters



TECHNICAL SPECIFICATIONS

Sizes
Customized
Filteration Rating
2, 5, 10, 20, 50, 100 Micron
Filter Media
SS 316L, SS 304L

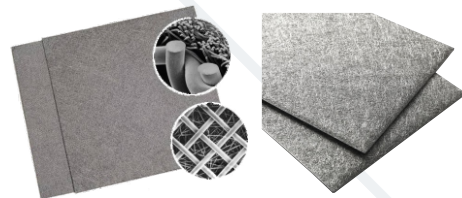
Spargers / Silencer



TECHNICAL SPECIFICATIONS

Sizes	
Customized	
Filteration Rating	Filter Media
1, 5, 10, 20, 50 Micron	SS 316L, SS 304L Sintered Bronze

Sintered Fiber Fabric



TECHNICAL SPECIFICATIONS

Sizes	
Customized	
Filteration Rating	Filter Media
1, 5, 10 Micron	SS 316L, SS 304L

Wedge Wires



TECHNICAL SPECIFICATIONS

Sizes
Customised
Filtration Rating
50, 75, 100, 150, 200, 500 Micron
Types
Cylinder, Screen
Filter Media
SS304, SS316, SS316L

Compressed Air Filters



TECHNICAL SPECIFICATIONS

Sizes
Customised
Filtration Rating
0.01, 0.1, 1, 5, 10 Micron
Fitting
Customised
Filter Media
Foam Media + Glass Fiber Media

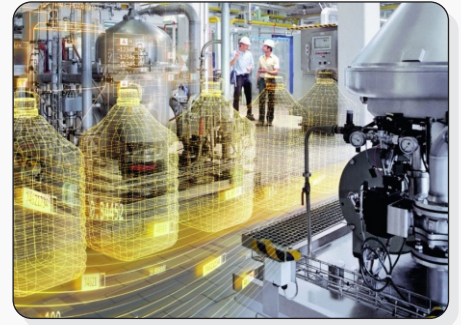
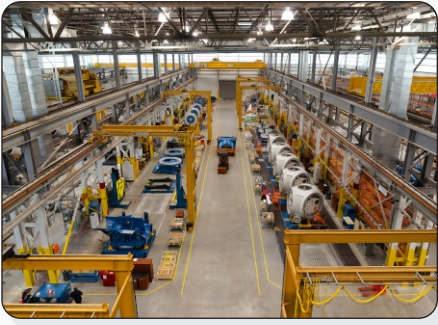
Replacement Filters



TECHNICAL SPECIFICATIONS

Sizes	Make
As Per Part Number	Parker, Hydac, MP FILTRI, Donaldson, etc.

INDUSTRIES WE SERVE



- Automotive
- Agriculture
- Breweries
- Cement
- Chemical
- Constructions
- Dairy
- Defense
- Fertilizers
- Food & Beverages
- Foods Industries
- General Households
- Mines
- Oil Refinery
- Paints
- Paper/Board Mills
- Pharma & Healthcare
- Rice/Dal/Flour Mills
- Soft Drink
- Sugar
- Steel Industry
- Power & Energy
- Textile
- Water Treatment
- Other Allied Industries



Manufacturer And Supplier Of Industrial Filters
(An ISO 9001 : 2015 Certified Company)

RAJVI FILTERS

📍 B-1, F/F/104, Pushkar Residency,
Nr. Satadhar Tenament,
B/H Annapurna Hotel,
Trikampura, Jasodanagar,
Ahmedabad - 382445.



- ☎ +91 99 7899 6614
- ☎ +91 99 7822 6614
- ✉ info@rajvifilters.com
- ✉ sales@rajvifilters.com
- 🌐 www.rajvifilters.com